

Caracalla

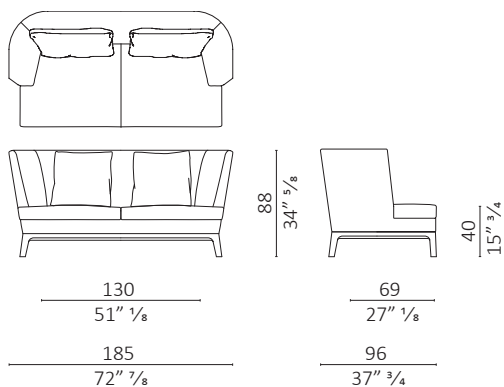
design Giuseppe Casarosa

Caratteristiche tecniche - Divano con struttura interna realizzata in legno massello e base in massello di noce americano. Cuscini imbottiti con poliuretano espanso non deformabile di varie densità e piuma.

Technical features - Sofa with internal structure made in solid wood and base in solid American walnut. Cushions padded with non-deformable polyurethane foam of various densities and filled with down.

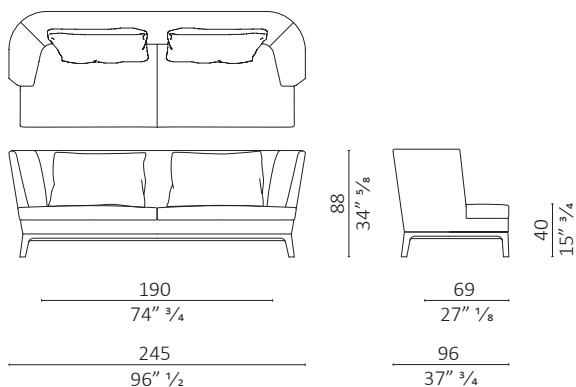


Caracalla alto / high



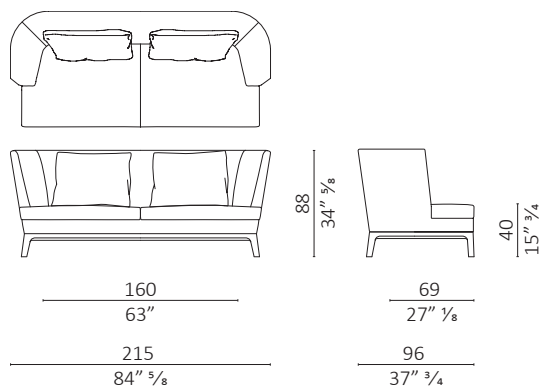
c.o.m. (l.mt.13,00/sq.mt.22,13)
volume m³ 1,836 - kg. 55

Caracalla alto / high



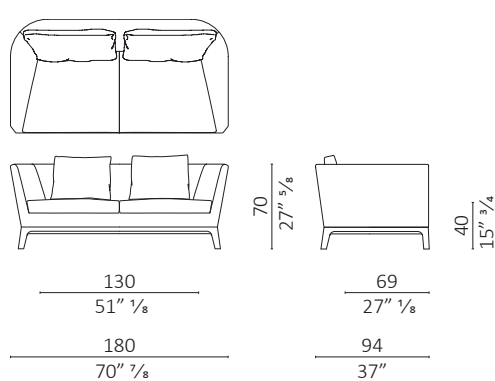
c.o.m. (l.mt.13,00/sq.mt.22,13)
volume m³ 2,547 - kg. 81,5

Caracalla alto / high



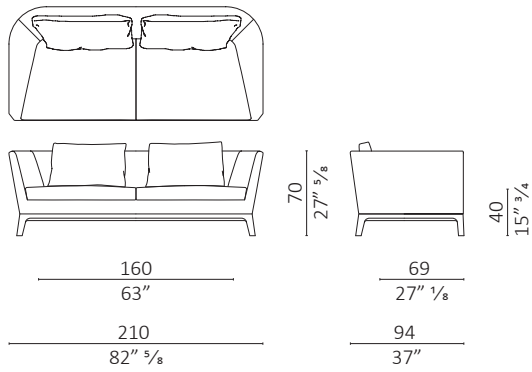
c.o.m. (l.mt.13,00/sq.mt.22,13)
volume m³ 2,284 - kg. 70

Caracalla basso / low



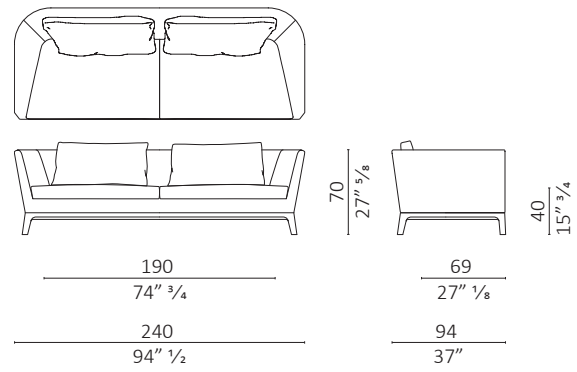
c.o.m. (l.mt.11,50/sq.mt.19,60)
volume m³ 1,712 - kg. 55

Caracalla basso / low



c.o.m. (l.mt.11,50/sq.mt.19,60)
volume m³ 1,788 - kg. 65

Caracalla basso / low



c.o.m. (l.mt.11,50/sq.mt.19,60)
volume m³ 1,865 - kg. 75

Finiture / Finishes

Legno Noce / Wood Walnut



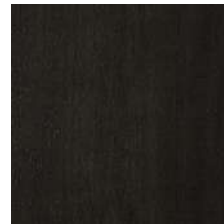
Noce
Walnut



Noce dark
Walnut dark



Noce moka
Walnut moka



Noce brown
Walnut brown

Tessuto Velluti e Ciniglie / Fabric Velvet and Chenille



Belsuede-029



Belsuede-032



Belsuede-015



Belsuede-014



Belsuede-01



Belsuede-036



Belsuede-016



Belsuede-017



Belsuede-040



Belsuede-034



Belsuede-010



Belsuede-011

Finiture / Finishes

Tessuto Velluti e Ciniglie / Fabric Velvet and Chenille



Belsuede-012



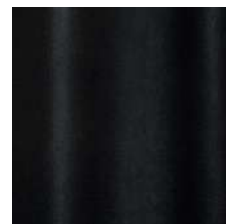
Belsuede-039



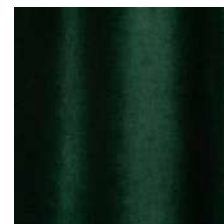
Amazonie-041



Amazonie-042



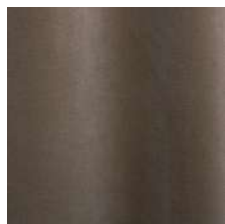
Amazonie 002



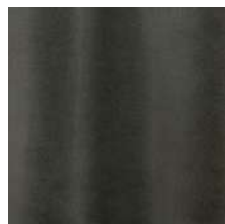
Amazonie 022



Amazonie 025



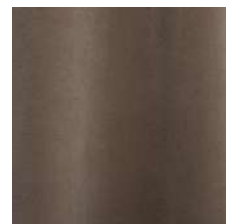
Amazonie 045



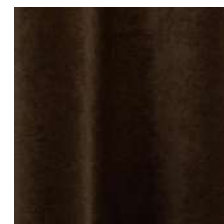
Amazonie 040



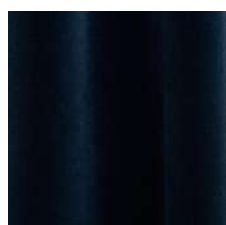
Amazonie 043



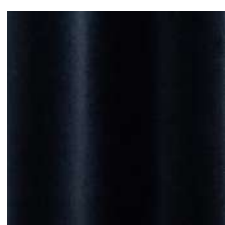
Amazonie 036



Amazonie 038



Amazonie 037



Amazonie 035

Tessuto / Fabric Bouclé



Verone Creme



Monza 00



Mies-005



Monza 09



Mies-004



Monza 07



Monza 97



Monza 84



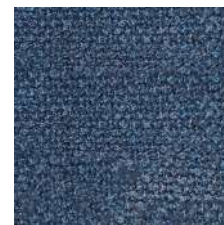
Monza 58



Monza 27



Monza 48



Monza 45



Verone Nuit



Mies-020



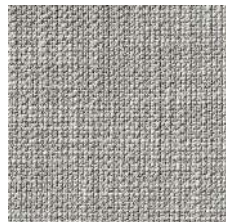
Monza 88



Mies-008

Finiture / Finishes

Tessuto Vari / Fabric Various



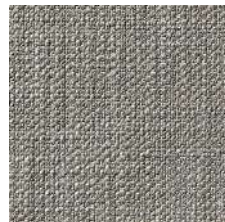
Gypsy-892



Flair-108



Nyul 001



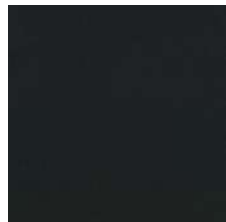
Gypsy-895



Divina 3 224



Oxford-893



Divina 3-191



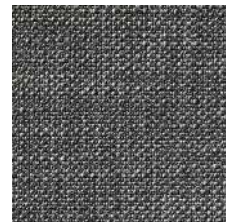
Oxford-897



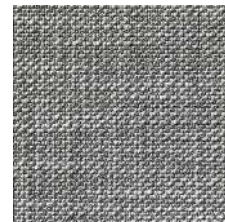
Flair-121



Oxford-999



Gypsy-997



Gypsy-995



Nyul 002



Nyul 003



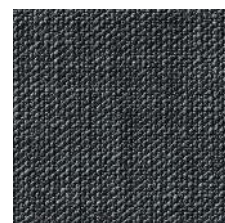
Flair 166



Oxford-889



Flair-164



Gypsy-699



Nyul 004



HURLUBERLU 003



HURLUBERLU 004

Pelle / Leather Color Sphere PF



SC 06 Calicot



SC 23 Tortora



SC 32 Caolino



SC 51 Panna



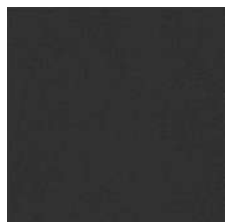
SC 31 Quarzo Fumè



SC 34 Maggese



SC 26 Topo



SC 20 Inchiostro



SC 21 Amianto



SC 53 Creta



SC 55 Camel Hair



SC 52 Daino

Finiture / Finishes

Pelle / Leather Color Sphere PF



SC 66 India



SC 59 Noce di Pecan



SC 80 Bruno Havana



SC 29 Ardesia



SC 148 Lacca



SC 146 Coccio Pesto



SC 173 Glauco



SC 177 Limo



SC 178 Alpi



SC 254 Steel Blue



SC 278 Atlantic Blue

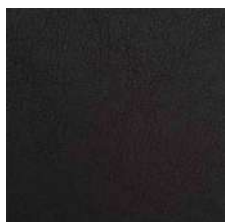


SC 279 Alchemy

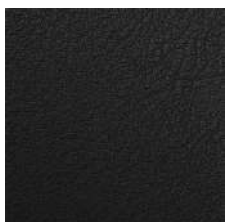


SC 133 Paglierino

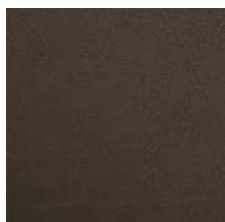
PELLE SUPERIOR / SUPERIOR LEATHER



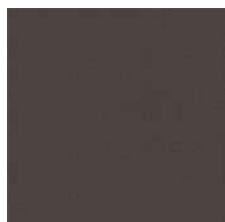
201 Testa di moro



202 Antracite



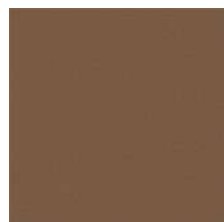
204 Fango



Velvety - Black Pepper



Velvety - Clary Sage



Velvety - Cumin



Velvety - Deep Lavender



Velvety - Grey Salt



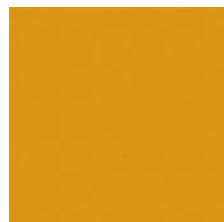
Velvety - Juniper



Velvety - Paprika



Velvety - Rosemary



Velvety - Saffron



Velvety - Sesame