

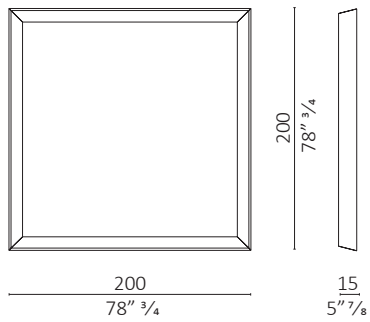
# Groove

design Studio CC

**Caratteristiche tecniche** - Specchio realizzato in noce americano.  
**Technical features** - Mirror made in American walnut.

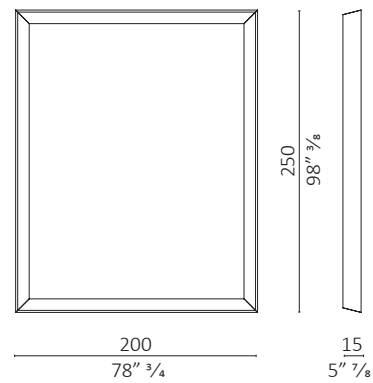


Groove



volume m<sup>3</sup> 1,591 - kg. 142

Groove



volume m<sup>3</sup> 1,841 - kg. 145

## Finiture / Finishes

### Legno Noce / Wood Walnut



Noce  
Walnut



Noce dark  
Walnut dark



Noce moka  
Walnut moka



Noce brown  
Walnut brown