

Imrat

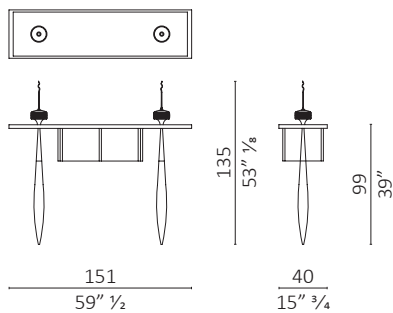
design Yamo

Caratteristiche tecniche - Consolle da fissare a parete, intagliata a mano in mogano naturale o palissandro. Piano in mogano, palissandro, foglia oro o argento, con o senza contenitori placcati argento. Gambe in acero.

Technical features - Hand carved console, wall anchorage, made in natural mahogany or rosewood. Top in mahogany, rosewood, gold or silver-leaf, with or without silver-plated cups. Legs in maple.

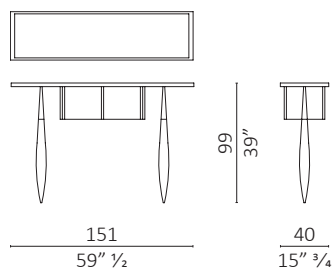


Imrat



volume m³ 0,348 - kg. 39,5

Imrat



volume m³ 0,348 - kg. 38

Finiture / Finishes

Legno Palissandro / Wood Rosewood



Palissandro
Rosewood

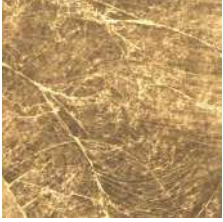
Finiture / *Finishes*

Legno Mogano / *Wood Mahogany*



Mogano
Mahogany

Metallo Ferro / *Metal Iron*



Foglia oro
Gold-leaf



Foglia argento
Silver-leaf