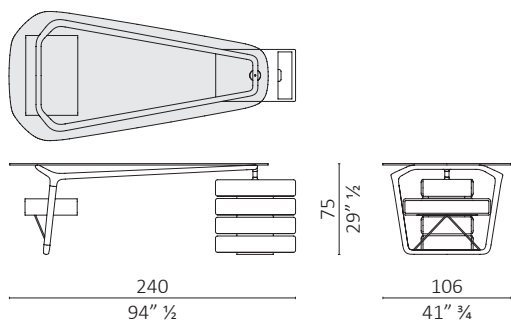


Omaggio

design Noé Duchaufour-Lawrance

Caratteristiche tecniche - Scrivania realizzata in massello di noce americano con cassetteria in multistrato impiallacciato (3 cassetti in noce americano/1 cassetto girevole in acero). Porta oggetti in noce americano e piano in vetro 12 mm temperato ultra trasparente o fumé.

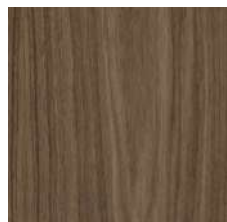
Technical features - Desk made in solid American walnut with drawer unit made in veneered plywood (3 drawers in American walnut/ 1 swivel drawer in maple wood). Tray in American walnut and 12 mm tempered glass top ultra transparent or smoked.



volume m³ 3,017 - kg. 205,5

Finiture / Finishes

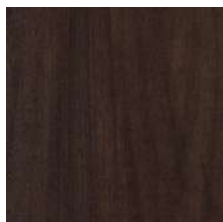
Legno Noce / Wood Walnut



Noce
Walnut



Noce dark
Walnut dark



Noce moka
Walnut moka



Noce brown
Walnut brown

Finiture / *Finishes*

Vetro / *Glass*



Trasparente
Transparent



Fumé
Smoked