

# Paperweight

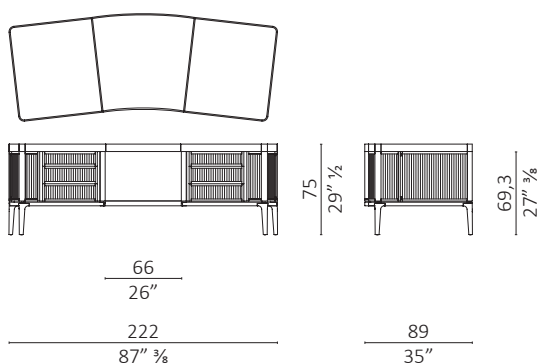
design Roberto Lazzeroni

**Caratteristiche tecniche** - Scrivania realizzata in massello di noce americano e multistrato impiallacciato con sei cassetti e due ante laterali, rivestita con strisce in legno massello. Piano in legno o in pelle, su richiesta interni rivestiti in pelle. Contenitore Little Paperweight realizzato in massello di noce americano e multistrato impiallacciato, rivestito con strisce in legno massello. Anta centrale ribaltabile e due cassetti laterali. Piano in legno o pelle.

**Technical features** - Desk made in solid American walnut and plywood veneered American walnut with six drawers and two side doors, covered with solid American walnut strips. Top in wood or leather, on request internal covered in leather. Side table Little Paperweight made in solid American walnut and plywood veneered American walnut, covered with solid American walnut strips. Central flip-up door and two side doors. Top in wood or leather.



## Paperweight



volume m<sup>3</sup> 2,770 - kg. 260

## Paperweight smontata / disassembled version

**Caratteristiche tecniche** - Scrivania Paperweight smontata per la spedizione.

**Technical features** - Disassembled Paperweight desk for shipment.

L/W 222 : volume m<sup>3</sup> 2,95 - kg.329

L/W 254 : volume m<sup>3</sup> 3,317 - kg.339

## Accessori / Accessories

### Parte interna / Internal part

**Caratteristiche tecniche** - Parte centrale interna in pelle.

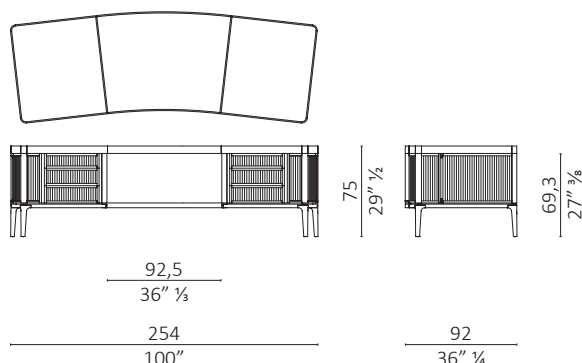
**Technical features** - Internal central part in leather.

### Divisorio cassetto / Drawer partition

**Caratteristiche tecniche** - Divisorio cassetto in acero.

**Technical features** - Drawer partition in maple wood.

## Paperweight



volume m<sup>3</sup> 3,137 - kg. 270

### Fondo cassetto / Bottom of drawer

**Caratteristiche tecniche** - Fondo cassetto in pelle.

**Technical features** - Bottom of drawer in leather.

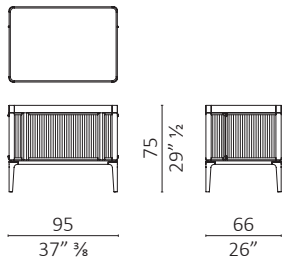
### Passacavi in ottone / Cablepassage in brass Ø 7

**Caratteristiche tecniche** - Foro passacavi sul piano scrivania con anello in ottone brunito, con uscita cavi sul lato interno della cassetiera.

**Technical features** - Hole for cable passage on desk top, with burnished brass finished ring, exit on internal side of drawer unit.



## Little Paperweight



volume m<sup>3</sup> 0,679 - kg. 94

## Finiture / Finishes

### Legno Noce / Wood Walnut



Noce  
Walnut



Noce dark  
Walnut dark



Noce moka  
Walnut moka



Noce brown  
Walnut brown

### Legno Acero / Wood Maple



Acero  
Maple

### Pelle / Leather Color Sphere PF



SC 06 Calicot



SC 23 Tortora



SC 32 Caolino



SC 51 Panna



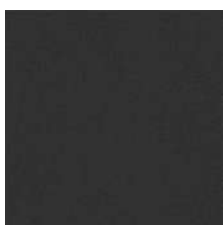
SC 31 Quarzo Fumè



SC 34 Maggese



SC 26 Topo



SC 20 Inchiostro



SC 21 Amianto



SC 53 Creta



SC 55 Camel Hair



SC 52 Daino

## Finiture / Finishes

### Pelle / Leather Color Sphere PF

---



SC 66 India



SC 59 Noce di Pecan



SC 80 Bruno Havana



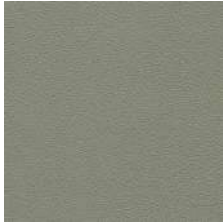
SC 29 Ardesia



SC 148 Lacca



SC 146 Coccio Pesto



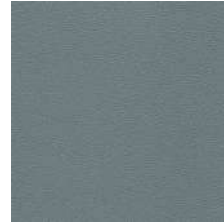
SC 173 Glauco



SC 177 Limo



SC 178 Alpi



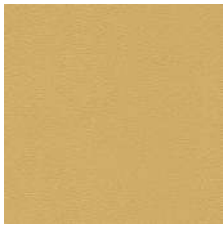
SC 254 Steel Blue



SC 278 Atlantic Blue



SC 279 Alchemy



SC 133 Paglierino