

Sunday morning

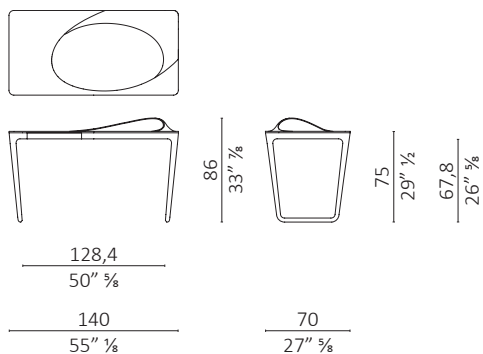
design Noé Duchaufour-Lawrance

Caratteristiche tecniche - Scrivania realizzato in massello di noce americano e multistrato impiallacciato. 1 cassetto, piano con tasca porta oggetti in corian bianco o piano liscio in corian bianco o legno.

Technical features - Writing desk made in solid American walnut and veneered plywood. 1 drawer, top with white corian pocket or plane top in white corian or wood.

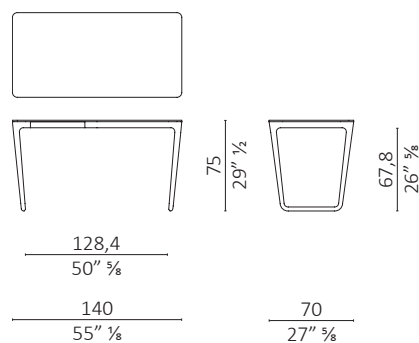


Sunday morning



volume m³ 1,336 - kg. 70

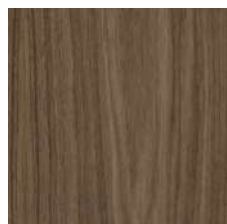
Sunday morning



volume m³ 1,336 - kg.65 (kg. 60,5 piano in legno/wooden top)

Finiture / Finishes

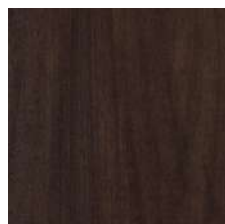
Legno Noce / Wood Walnut



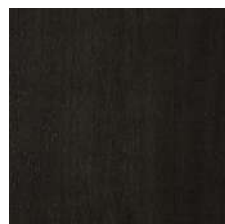
Noce
Walnut



Noce dark
Walnut dark



Noce moka
Walnut moka



Noce brown
Walnut brown