

Fillungo

design Giuseppe Casarosa

Caratteristiche tecniche - La struttura interna è realizzata in massello di faggio e multistrato di pioppo. Molleggio con cinghie elastiche su seduta. Base in massello di noce americano con piedini e puntali in ottone. La seduta e lo schienale imbottiti e rivestiti in tessuto o pelle. Il divano è rifinito da un filetto 5 mm che ne evidenzia il contorno. Il filetto è in cotone in abbinamento al tessuto o pelle. Versione in tessuto sfoderabile.

Technical features - The internal structure is made of solid beech and poplar plywood. Seat suspension is provided by elastic straps. The base is crafted from solid American walnut with brass feet. The seat and backrest are padded and upholstered in fabric or leather. The sofa is finished with a 5 mm cord highlighting its outline, made of cotton matching the fabric or leather. Fabric version is removable.

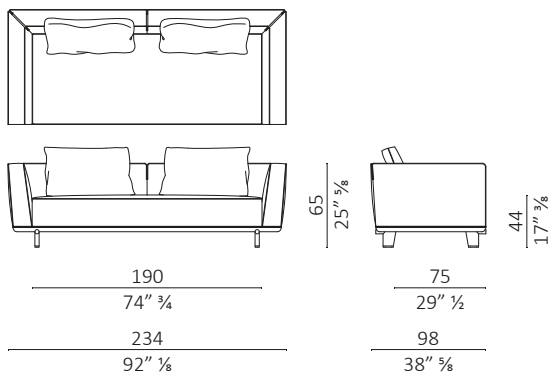
Nota - Specificare la finitura del legno, tra quelle presenti a campionario.

Note - Specify the wood finish from the available samples.



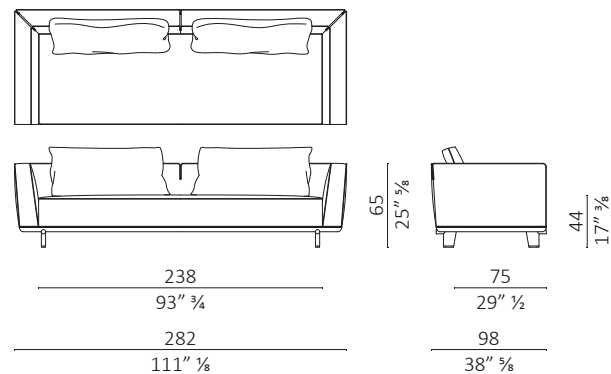
Fillungo

Fillungo 234 divano / sofa



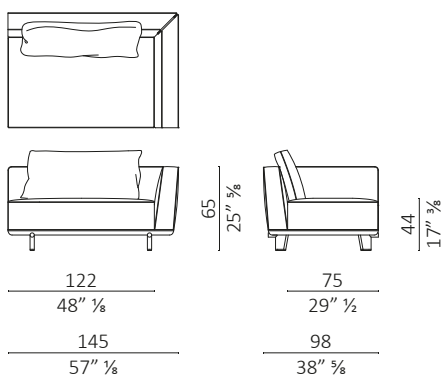
c.o.m. (l.mt.11,50/sq.mt.17,70)

Fillungo 282 divano / 278 sofa



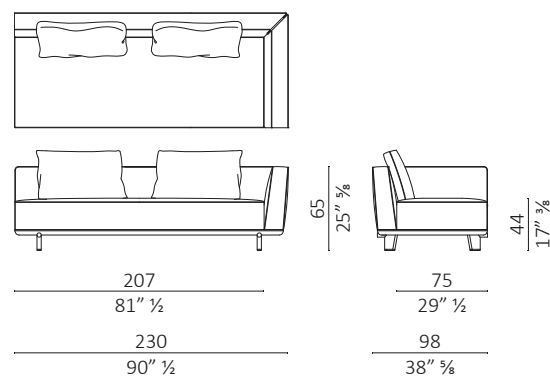
c.o.m. (l.mt.12,50/sq.mt.19,30)

Fillungo 145 terminale DX-SX / end element RH-LH



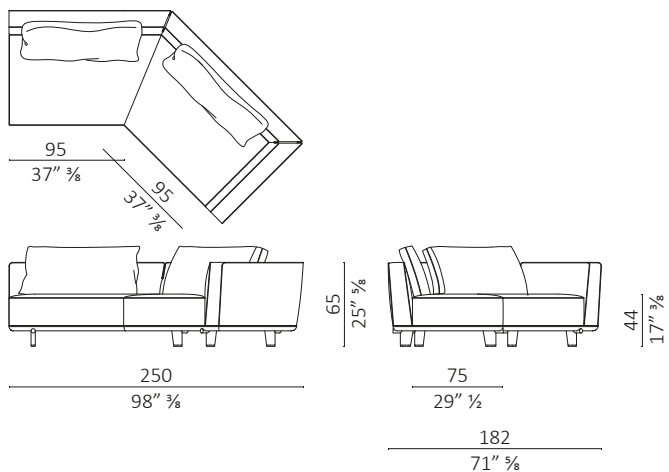
c.o.m. (l.mt.9,00/sq.mt.13,90)

Fillungo 230 terminale DX-SX / end element RH-LH



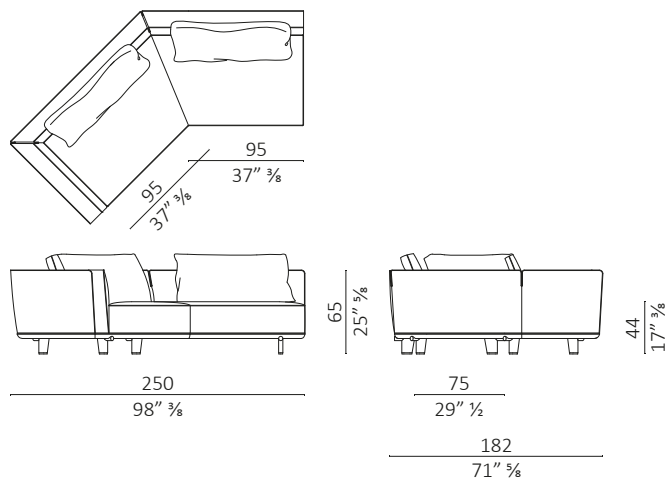
c.o.m. (l.mt.10,50/sq.mt.16,20)

Fillungo terminale 45° DX / end elementl 45° RH



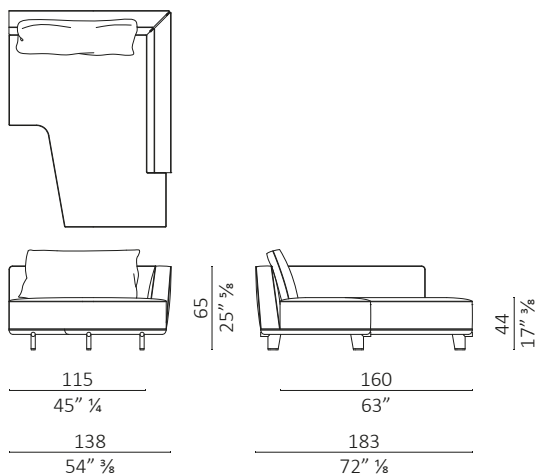
c.o.m. (l.mt.9,00/sq.mt.13,90)

Fillungo terminale 45° SX / end element 45° LH



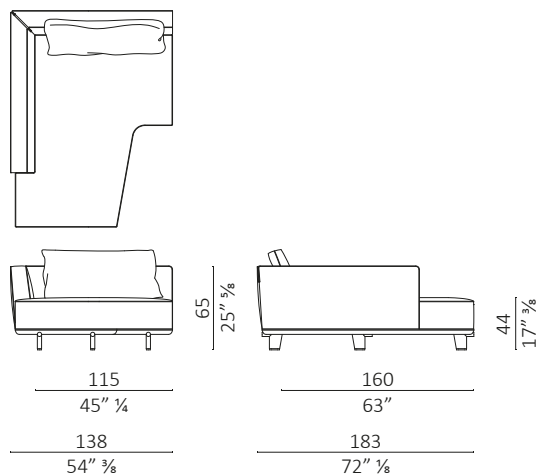
c.o.m. (l.mt.9,00/sq.mt.13,90)

Fillungo chaise longue DX / element RH



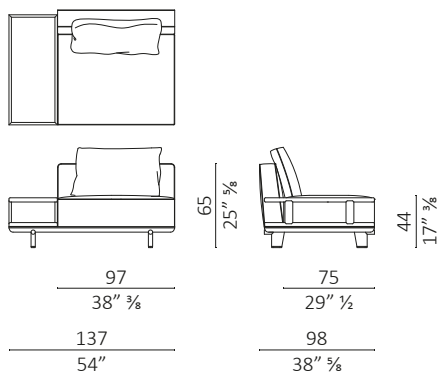
c.o.m. (l.mt.11,50/sq.mt.17,70)

Fillungo chaise longue SX / element LH



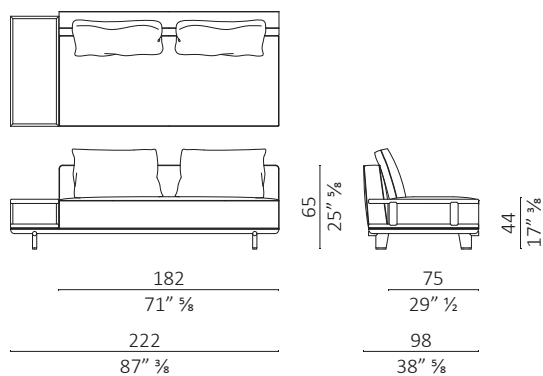
c.o.m. (l.mt.11,50/sq.mt.17,70)

Fillungo 137 con tavolino DX-SX / element with low table RH-LH



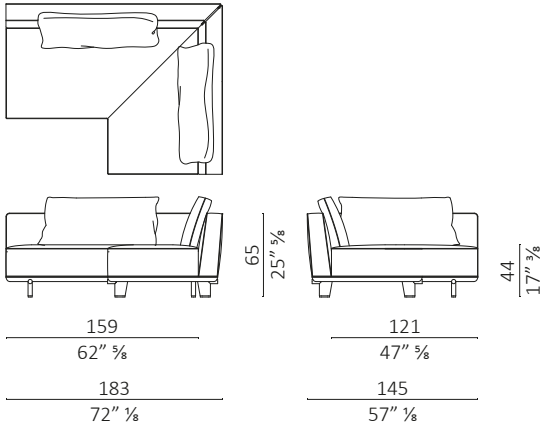
c.o.m. (l.mt.4,00/sq.mt.6,20)

Fillungo 222 con tavolino DX-SX / Fillungo222 element with low table RH-LH



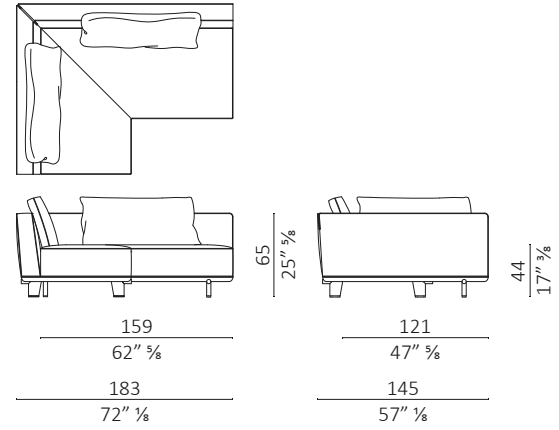
c.o.m. (l.mt.9,00/sq.mt.13,90)

Fillungo angolare DX / corner element RH



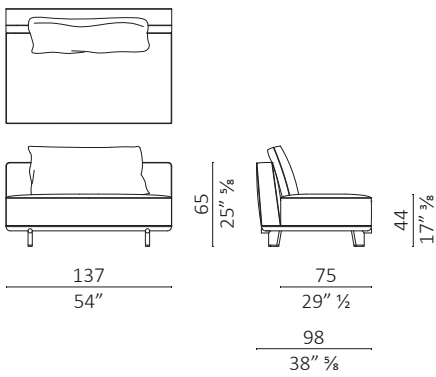
c.o.m. (l.mt.11,50/sq.mt.17,70)

Fillungo angolare SX / corner element LH



c.o.m. (l.mt.11,50/sq.mt.17,70)

Fillungo 137 centrale / central element



c.o.m. (l.mt.5,00/sq.mt.7,70)

Finiture / Finishes

Legno Noce / Wood Walnut



noce
walnut



noce dark
walnut dark



noce moka
walnut moka



noce brown
walnut brown

Tessuto / Fabric / Bouclè FL



Bouclè FL 55



Bouclè FL 14



Bouclè FL 106



Bouclè FL 103



Bouclè FL 900



Bouclè FL 52



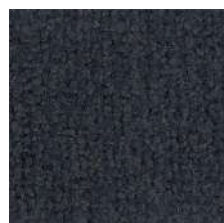
Bouclè FL 10



Bouclè FL 18



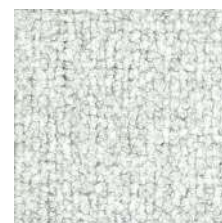
Bouclè FL 140



Bouclè FL 50



Bouclè FL 130



Bouclè FL 25



Bouclè FL 116



Bouclè FL 53

Tessuto Velluti e Ciniglie / Fabric Velvet and Chenille



Belsuede-029



Belsuede-032



Belsuede-015



Belsuede-014



Belsuede-01



Belsuede-036



Belsuede-016



Belsuede-017



Belsuede-040



Belsuede-034



Belsuede-010



Belsuede-011

Finiture / Finishes

Tessuto Velluti e Ciniglie / Fabric Velvet and Chenille



Belsuede-012



Belsuede-039



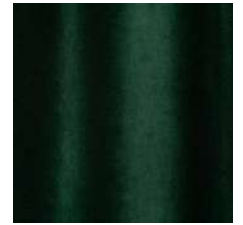
Amazonie-041



Amazonie-042



Amazonie 002



Amazonie 022



Amazonie 025



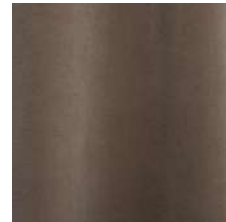
Amazonie 045



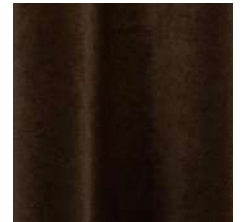
Amazonie 040



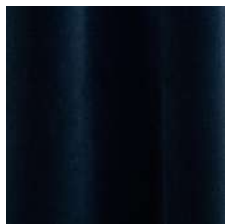
Amazonie 043



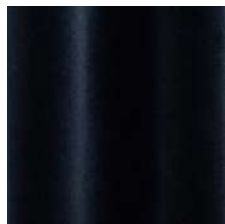
Amazonie 036



Amazonie 038



Amazonie 037

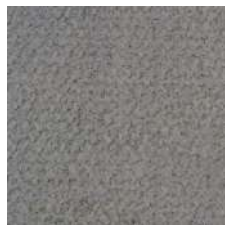


Amazonie 035

Tessuto / Fabric Bouclé



Verone Creme



Monza 00



Mies-005



Monza 09



Mies-004



Monza 07



Monza 97



Monza 84



Monza 58



Monza 27



Monza 48



Monza 45



Verone Nuit



Mies-020



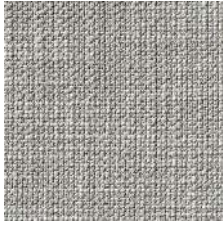
Monza 88



Mies-008

Finiture / Finishes

Tessuto Vari / Fabric Various



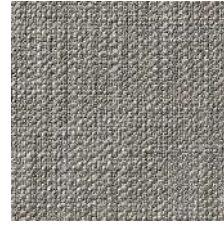
Gypsy-892



Flair-108



Nyul 001



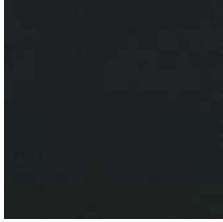
Gypsy-895



Divina 3 224



Oxford-893



Divina 3-191



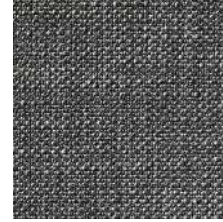
Oxford-897



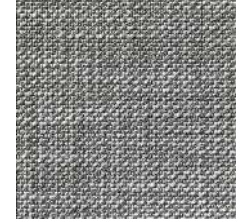
Flair-121



Oxford-999



Gypsy-997



Gypsy-995



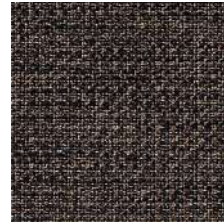
Nyul 002



Nyul 003



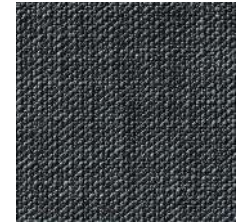
Flair 166



Oxford-889



Flair-164



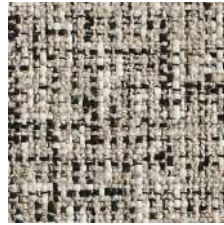
Gypsy-699



Nyul 004



HURLUBERLU 003



HURLUBERLU 004

Pelle / Leather Color Sphere PF



SC 06 Calicot



SC 23 Tortora



SC 32 Caolino



SC 51 Panna



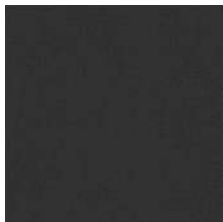
SC 31 Quarzo Fumè



SC 34 Maggese



SC 26 Topo



SC 20 Inchiostro



SC 21 Amianto



SC 53 Creta



SC 55 Camel Hair



SC 52 Daino

Finiture / Finishes

Pelle / Leather Color Sphere PF



SC 66 India



SC 59 Noce di Pecan



SC 80 Bruno Havana



SC 29 Ardesia



SC 148 Lacca



SC 146 Coccio Pesto



SC 173 Glauco



SC 177 Limo



SC 178 Alpi



SC 254 Steel Blue



SC 278 Atlantic Blue



SC 279 Alchemy

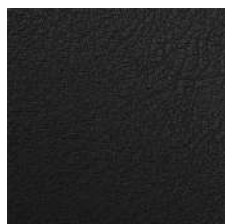


SC 133 Paglierino

PELLE SUPERIOR / SUPERIOR LEATHER



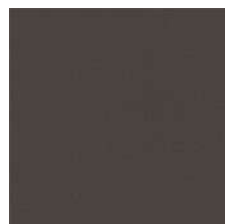
201 Testa di moro



202 Antracite



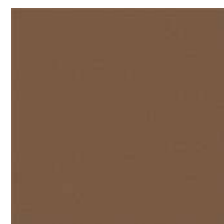
204 Fango



Velvety - Black Pepper



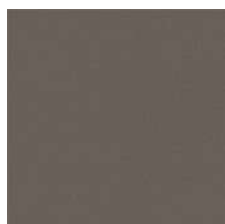
Velvety - Clary Sage



Velvety - Cumin



Velvety - Deep Lavender



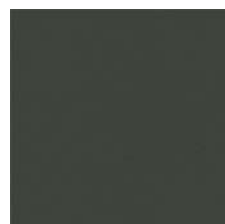
Velvety - Grey Salt



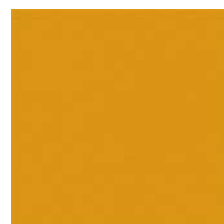
Velvety - Juniper



Velvety - Paprika



Velvety - Rosemary



Velvety - Saffron



Velvety - Sesame